

# Rapid 105

The electric stapler  
with variations.



The Rapid 105 belongs to a new generation of electric staplers. They are just as well adapted to the needs of the office for quick and silent stapling as to the extreme demands of industry for strength, operational reliability and flexibility.

The Rapid 105 is a versatile electric stapler. Two or more staplers can be connected in series, implying that several stapling operations can be carried out simultaneously. The staplers are sequence controlled, so the mains power supply cannot be overloaded.

The Rapid 105 is narrow and, combined together with different accessories, it can be mounted in many different variations. It is just as applicable for thin paper sheaves as for packages of different dimensions and sizes. Stapling is either automatic or by pedal.

It is a simple matter to adapt the Rapid 105 to different operations with the aid of adjustable stapling power and stapling depth. The Rapid 105 electric stapler operates gently and silently for a more pleasant working environment.

**R**<sup>®</sup>  
Rapid

# The Rapid 105 can staple thin, thick, narrow or wide.



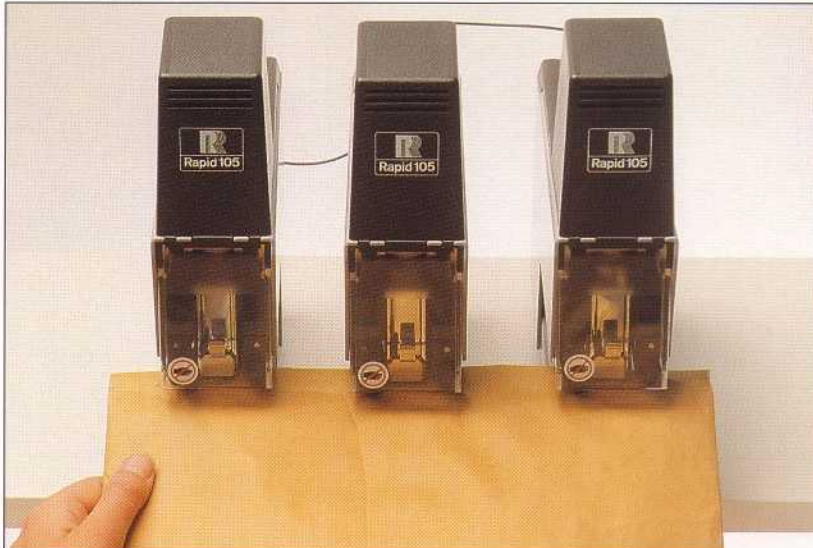
Staples sheaves of up to 40 sheets (75 g). The Rapid 105 rests steadily on the table and works silently.



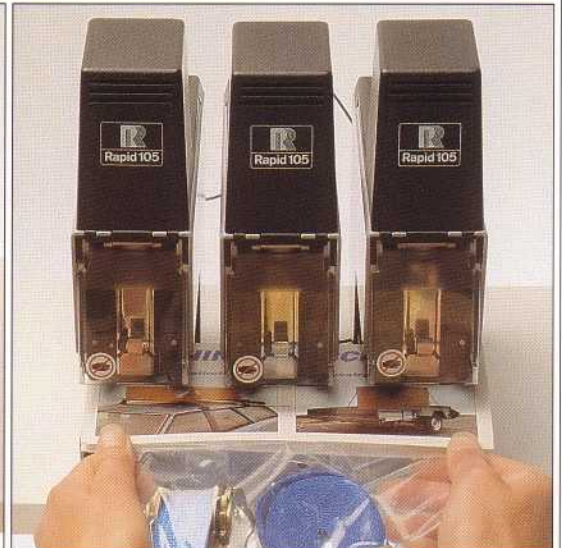
Small and narrow packages are easy to staple using the Rapid 105. Stapling is either automatic or by pedal.



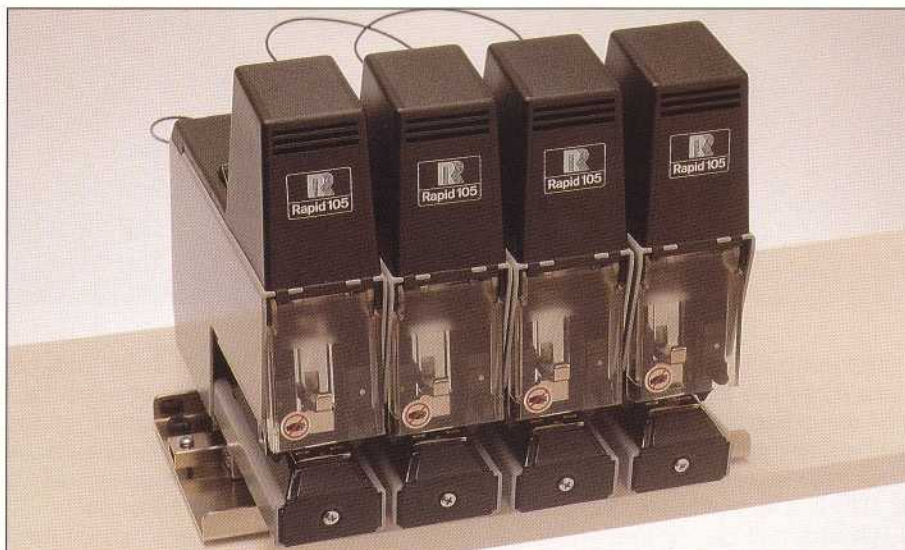
Two series-connected Rapid 105 units. Because of their narrow body, the staplers can be placed close to each other.



Rapid 105 units mounted on vices. Easy to move, increases flexibility and gives a larger field of application.

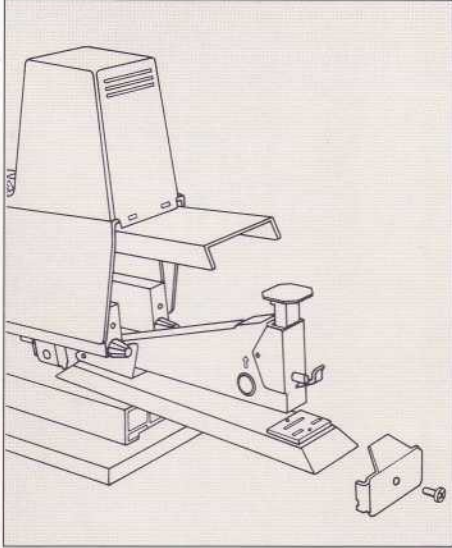


Three Rapid 105 units mounted close together.

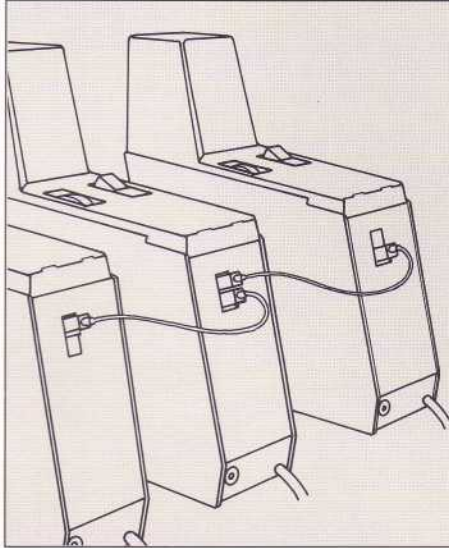


Up to four Rapid 105 units can be mounted on the portable industrial table.

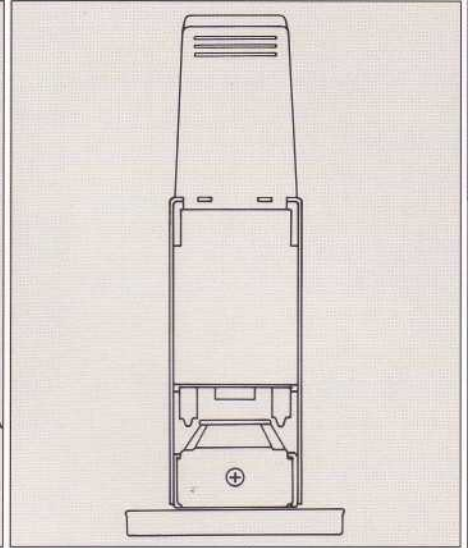
# A professional in every detail.



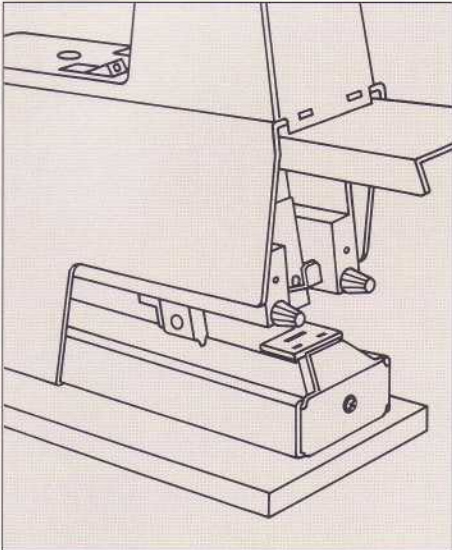
Quick and simple change of insert stapler.



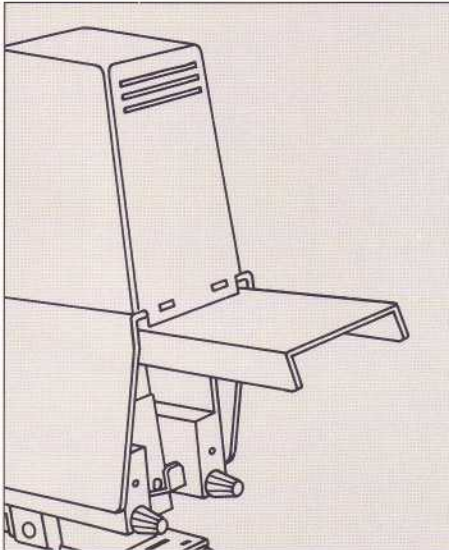
Series connection by opto cables for greater production capacity.



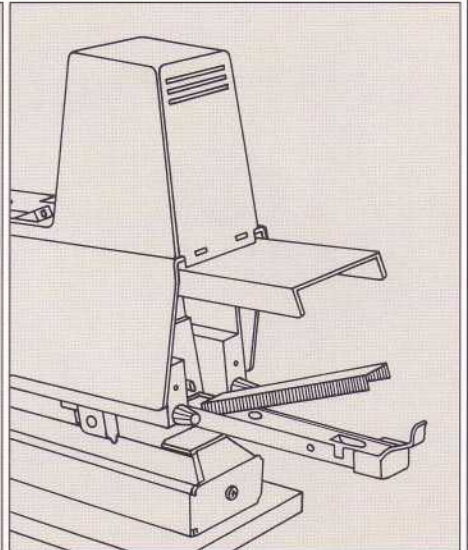
Narrow – only 100 mm (60 mm without baseplate).



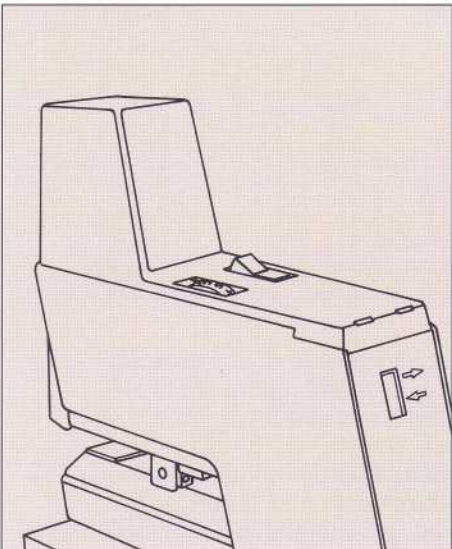
Double triggers, individually adjustable.  
Adjustable stapling depth up to 100 mm.



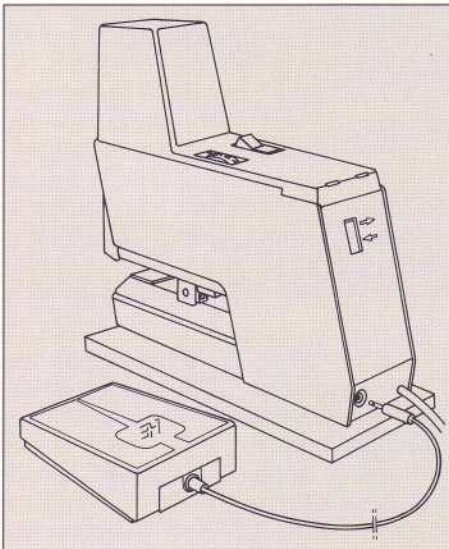
Safe – inoperable when the sight-shield is raised.



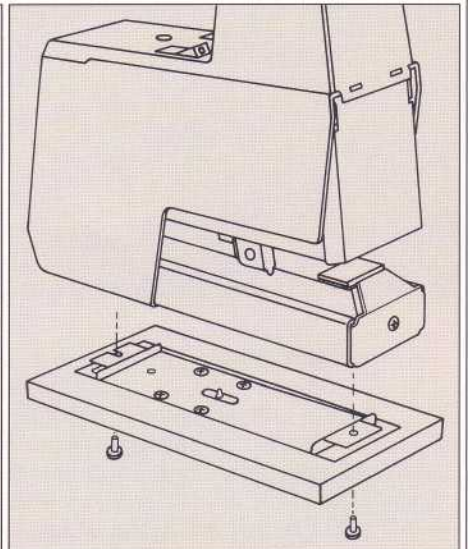
Front-loaded – easy and convenient.



Adjustable stapling power.



The pedal is easy to connect using a plug-in contact.

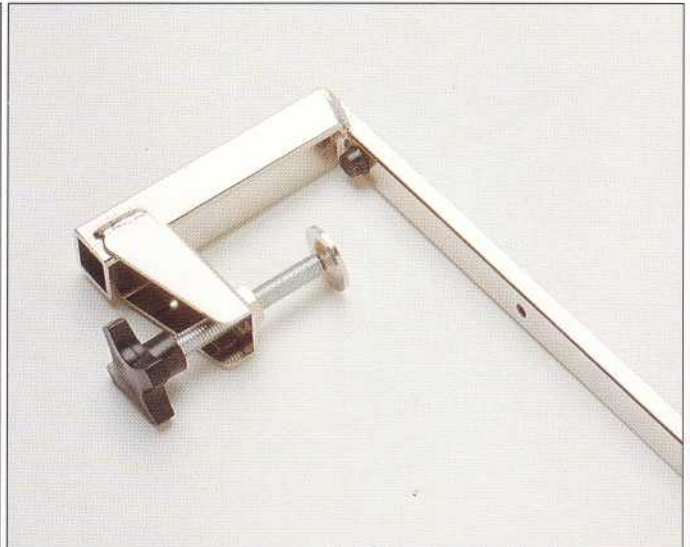


Silent – solenoid plunger with electronically controlled impact, damped return stroke and sound-damping baseplate.

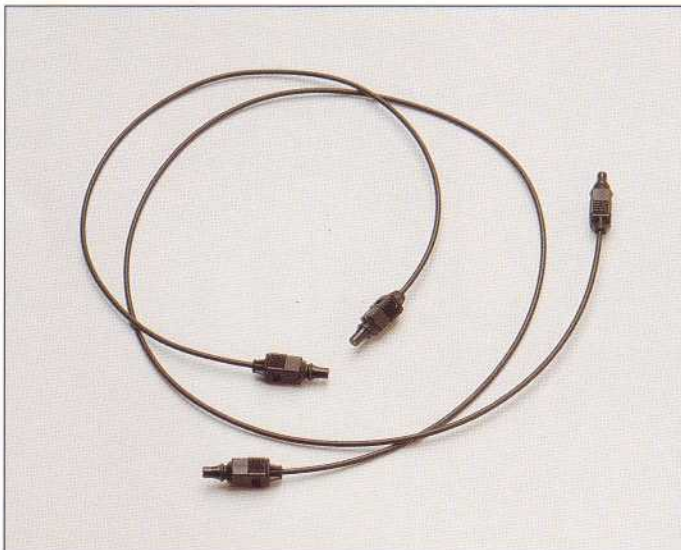
## Extra accessories:



Pedal.



Vice for table top mounting supplied with clamping block.



Opto cables (40 cm and 70 cm).



Industrial table for up to 4 staplers, supplied with two clamping blocks.

## Technical data

Width: 60 mm (with baseplate 100 mm)  
Length: 250 mm (with baseplate 255 mm)  
Height: 238 mm (with baseplate 245 mm)  
Weight: 3.6 kg  
Magazine: 210 Rapid 66/6-8 mm staples  
Capacity: Up to 40 sheets (75 g)